

WM-1 Quick Installation

How to install Datavideo PTC-150* to WM-1



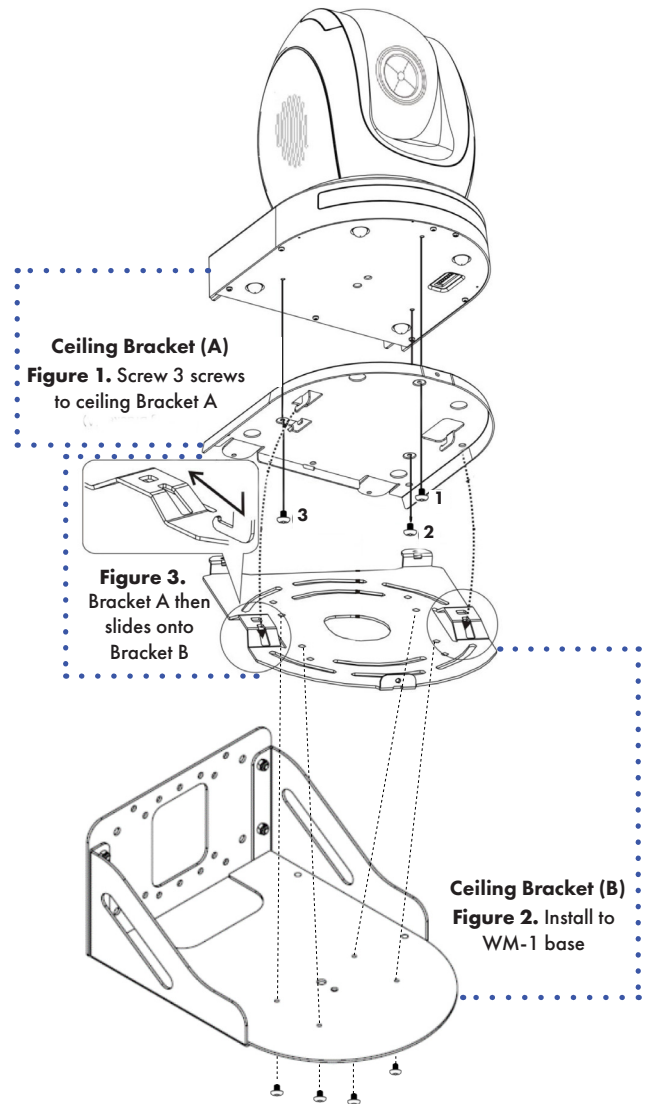
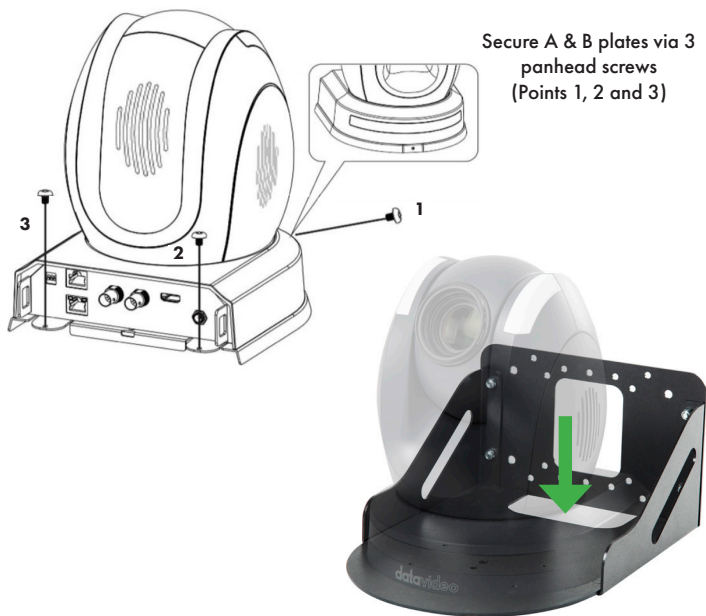
Step 1. Mount assembled WM-1 to the wall.

Step 2. Secure the PTC-150* to the Ceiling Bracket A plate (**Figure 1**) by screwing 3 screws as shown.

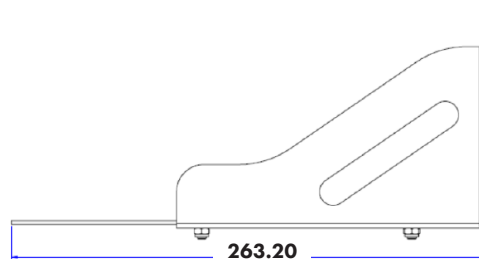
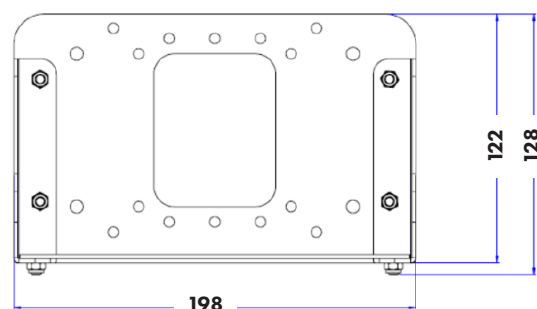
Step 3. Mount the Ceiling Bracket B plate to the WM-1 base as shown in **Figure 2**.

Step 4. Once the PTC-150* is mounted to Bracket A plate, Slide it to Bracket B attached to the WM-1 base (**Figure 3**)

Step 5. Secure the camera to the A & B plates with 3 panhead screws as shown below. Then connect the cables through the rectangular hole on the WM-1 as shown below.



Dimensions



Measurements in
millimeters (mm)

* Please note that the WM-1 wall mount can be applied to the PTC-140(T), PTC-150(T) and PTC-200(T). This manual uses the PTC-150 as an example to show how it can be installed onto WM-1.